

Arabacalanı Mah. 54. Cad. Cadde 54 / B Blok No:3/3013  
Serdivan / Sakarya / Türkiy

[www.motorock.com.tr](http://www.motorock.com.tr)

Döküm Gövdeli Dişli Pompalar  
Cast Iron Gear Pumps  
Mobile Applications

"KALİTE ASLA BİR TESADÜF DEĞİL,  
DAİMA AKILLI BİR GAYRETİN  
SONUCUDUR"

"Quality is never a coincidence, it is always the result of intelligent effort."

## HAKKIMIZDA

Motorock, otomotiv endüstrisine yönelik araç parça üretimi alanında faaliyet gösteren yenilikçi ve güvenilir bir firmadır. Kuruluşumuzdan bu yana kaliteyi, dayanıklılığı ve müşteri memnuniyetini temel değerlerimiz olarak benimsedik. Modern üretim tesislerimiz, ileri teknoloji makine parkurumuz ve alanında uzman kadromuz ile otomotiv sektörüne yüksek standartlarda ürünler sunuyoruz. Ürünlerimiz, ulusal ve uluslararası pazarlarda tercih edilmekte ve sektördeki iş ortaklarımıza güvenilir çözümler sağlamaktadır. Ar-Ge çalışmalarına verdiğimiz önem sayesinde, değişen müşteri ihtiyaçlarına hızlı bir şekilde yanıt veriyor, teknolojik gelişmeleri yakından takip ederek üretim süreçlerimize entegre ediyoruz.

Motorock olarak sadece üretimde değil, aynı zamanda sürdürülebilirlik ve çevreye duyarlılık konusunda da sorumluluk alıyoruz. Kaynakları verimli kullanan, çevre dostu üretim anlayışımızla geleceğe yatırım yapıyoruz. Hedefimiz, müşterilerimizin ihtiyaçlarını en doğru şekilde karşılamak, onlara uzun ömürlü ve güvenilir ürünler sunmak ve otomotiv sektöründe kalıcı bir değer yaratmaktır. Motorock, bugünün gücüyle yarının yolunu inşa ediyor.

## ABOUT US

*Motorock is an innovative and reliable company specializing in the production of automotive parts. Since our establishment, we have embraced quality, durability, and customer satisfaction as our core values. With our modern production facilities, advanced machinery, and expert team, we provide the automotive industry with products that meet the highest standards.*

*Our products are trusted and preferred in both domestic and international markets, offering reliable solutions to our business partners worldwide. Thanks to our strong commitment to R&D, we respond quickly to evolving customer needs while closely following technological advancements and integrating them into our production processes.*

*At Motorock, we also take responsibility in terms of sustainability and environmental awareness. By adopting eco-friendly production practices and efficient use of resources, we invest in the future.*

*Our mission is to meet our customers' needs in the most accurate way, provide them with long-lasting and dependable products, and create lasting value in the automotive industry. Motorock is building the road to the future with the strength of today*



# MOTOROCK

— AUTOMOTIVE —



*Mobile Cast Iron*  
GEAR PUMP APPLICATIONS



**MOTOROCK**

— AUTOMOTIVE —

**MOBILE CAST IRON GEAR PUMP APPLICATIONS**

ORIGINAL CODE	HEMA NUMBER	HEMA EXTENTION NUMBERS	MACHINE TYPE	VOLUMES (CC)	DIRECTION
20/925591 7029530009	HPR43005	R1C403840194016Q33A	JCB TELESCOPE	36+19+16	A
20/925588-20/918300-20/925355 Parker Code : 7029530001 / 7029530008	HPR43006	R1C403240194016Q33A	JCB TELESCOPE	32+19+16	A
20/925613 7029530010 / 7049532007	HPR43011	R1C404540324016Q33A	JCB TELESCOPE	45+32+16	A
20/925578 new code : 332/F9028	HPX52026	X1C50335023Q22A2K4E0X4CC	JCB 3CX,2004-2006	33+23	C
20/925578 new code : 332/F9028	HPR42029	R1C4032R4023Q22A2K4E0X4CC	JCB 3CX,2004-2007	32+23	C
20/925579 Parker Code : 702.9120.023	HPX52030	X1C50365026Q22A2K4E0X4CC	JCB 3CX,2004-2006	36+26	C
20/925580	HPX52029	X1C50365029Q22A2K4E0X4CC	JCB 4CX,2004-2006	36+29	C
20/925581 Parker Code : 702.9122.0020	HPX52055	X1C50375023Q22A2K4E0X4CC	JCB 3CX,2006 sonrası	37+23	C
20/925580 new code : 332/F9030 Parker Code : 702.9120.048 / 7029120025	HPX52038	X1C50365029Q22A2K4E0X4CC	JCB 3CX-4CX , 2009	36+29	C
20/925580 new code : 332/F9030 Parker Code : 702.9120.048 / 7029120025	HPS42006	S1C4037S4032Q22A2K4E0X4CC	JCB 3CX-4CX ,	36+30	C
New code : 332/G5390 Parker Code : 702.9120.077	HPX52076	X1C5036X5029Q22A1K4E0X4EC	JCB 3CX-4CX ,	36+29	C
New code : 332/G5390 Parker Code : 702.9120.077	HPS42003	S1C4037S4032Q22A1K4E0X4EC	JCB 3CX-4CX ,	36+30	C
919/71400	A0119434001	P2APJ190705A187/.A149/.A106	JCB 3CX-FROM 40001	33,43+22	A
919/71500,71400,71600,71700,66700,66900,67000,66800	A0119434021	P2APJ190706A188	JCB 3CX	33,43+28	A
919/72400,27100	A0222414001	P2APJ2207/1906A297	JCB 3C,4C,3D11	52+28	A
919/72400,27100	A0222110021	PAJ2207/1906G2H44H9A	JCB 3C,4C,3D11	52+28	A
919/74200,27000	B0322410001	P2AP2207G2B44A	JCB 3C/4C/3D11/3CS	52	A
919/74200,27000	B0322110021	PA2207G2B44A	JCB 3CX 4*4	52	A
919/75002	151502	X1A5046H21A2K4EA	JCB 3D	46	A
	101702	X1A5051/101702/CA	JCB 3DS - ESCORTS	51	A
20/925270	101704	X1A5046/101704/1A	JCB 3D - ESCORTS	46	A
20/925279	HPX52012	X1C50235023H22A2F4DC	JCB 3D 2001-2006 B/L INDIA	23+23	A
20/925279 Parker Code : 702.9122.008	HPR42016	R1A40234023H22A2F4E0X4EA	JCB 3DX	23+23	A
20/903300 (40749)	HPX52009	X1C50335029Q32A2K4E0X4CC	JCB 3CX 1998-2001	32+29	C
20/903100, 20/902900, 20/912800	HPX52010	X1C50335029H22A2K4E0X4CA	JCB 3CX 1998-2001	33+29	A
919/71400	HP191002	FAPJ1907B2H66A	JCB 3CX FRONT PUMP	33,43	A
919/71400	HP191001	RWRJ1905YHH75A	JCB 3CX REAR PUMP	22	A
919/66800 919/62400	A0119129151	P2AJ190705A106	JCB 3CX-FROM 40002	33,43+22	A
919/66900	A0119121541	P2AJ190706A150	JCB 3CX	33,43+28	A
20/902900 4070H	HPX52011	X1C50335023H2...A	JCB 3CX 1998-2001	33+23	A
20/902900	A0119434061	P2APJ190705A212	JCB 3CX-410292	33,43+22	A
919/66700,60300	A0119131171	P2AJ190906A108/.A192/.A151	JCB 1700B	41,5+28	A
919/71700,66700	A0119444001	P2APJ190906A192/.A108/.A151	JCB (A0119131521)	41,5+28	A
20/925339 Parker Code : 7029.1200.23 /06	HPX52023	X1C50365026Q22A2K4E0X4CC	JCB 3CX,2001-2004	36+26	C
20/925339 Parker Code : 7029.1200.23 /06	HPX52023	X1C50365026Q22A2K4E0X4CC	JCB 3CX,2001-2004	36+26	C
20/925339 Parker Code : 7029.1200.06 /23	HPS42002	S1C4037S4027Q22A2K4E0X4CC	JCB 3CX,2001-2004	37+27	C
20/925340 Parker Code : 7029.1200.05 7441N	HPX52024	X1C50415026Q22A2K4E0X4CC	JCB 4CX,2001-2004	41+26	C
20/925340-20/925341 Parker Code : 7029.1200.05 / 07 4071F	HPR42028	R1C4041R4027Q22A2K4E0X4CC	JCB 4CX,2001-2004	41+27	C
	HO282812	R1A40324032Q32A2K4E4CC	JCB 4CX New	32+32	C
***	HPX52006	X1C50415026H22A2K4G0X4EA	JCB	41+26	A
20/911200, 20/903200, 20/902900 Ultra Code : 7441N	HPX52025	X1C50415026H22A1K4E0X4CA	JCB	41+26	A
20/912800 OR	A0119434041	P2APJ190706A211	JCB	33,43+28	A
20/912800	HPX52022	X1C50365026H22A2K4G0X4EA	JCB 3CX B/L	36+26	A
20/912800 (83103)	HPR42025	R1C40384027H22A2K4E0X4CA	JCB 3CX B/L	38+27	A
919/71800,68600	A0119435011	P2CPJ190706C189/.....C157	JCB 4CX	33,43+28	C
919/74500-919/21800	B0322440021	P2AP2210G2B2A	JCB 3C/3D/3CM	70,1	A
919/71600,67000	A0119424001	P2APJ190606A185/.A152/.A130	JCB 3CX-P7/P8	28+28	A
919/71900,68700	039801	P2CPJ190906C235/.C215/.C159	JCB 4CX-P8	41,5+28	C
919/25600	053302	P2AP2208/190909C351	JCB BM	58+41,5+41,5	C
919/72700	020501	P2CP2213/1909A346	JCB 428	85,7+41,5	A
919/25400	A0222142221	PC2213/1909A16	JCB 428	85,7+41,5	A
919/72500	A0222444001	P2APJ22101906A302	JCB 3C111	70,1+28	A
919/26300	A0222130121	PAJ2210/1906A1	JCB 3C111	70,1+28	A
919/52800	B1319158021	MZ1913SSEDB1D	JCB 812 814	62,1	D
919/26900	B0216262431	P2C1617V1C5C	JCB 400	41,3	C
919/74700	004202	P2CP2210C4B26C	JCB 416/430 Z	70,1	C
919/74300	B0322412011	P2CP2207S2B26A	JCB	52	A
919/74000	B0319442071	P2CP1909B2B45C	JCB 410/412	41,5	C
919/73800	B0319442091	P2CP1909B2B2C	JCB 410/412/415/423	41,5	C
919/73000	A0322420051	P2AP2208/190707C317	JCB 812/814	58,7+33,43+33,43	C
919/72000	A0119445011	P2CPJ190909C194	JCB 425	41,5+41,5	C
919/24400	A0322120111	PA2210/190707G5B2B2B2C	JCB 808	70,1+33,43+33,43	C
919/24700	009501	P2AP22100808G5B2B2B2C	JCB 808	70,1+58,7+58,7	C
919/24700	A0322130121	PAA22100808G5B2B2B2C	JCB 808	70,1+58,7+58,7	C
919/24200	A0322140061	PA2210/190909G5B2B2B2C	JCB 807	70,1+41,5+41,5	C
919/25900	A0322120081	PA2208/190707G5B2B2B2C	JCB 804-805-806	58,7+33,43+33,43	C
919/27500	A0319130101	PA19090906R5B2B2B2C	JCB 806C	41,5+41,5+28	C
919/72900	052801	P2AP19090606R5B2B2B2C	JCB 806C	41,5+41,5+28	C
919/54000	A0322120311	PA2208/190606G5B2B2B2C	JCB 811	58,7+28+28	C
919/73300	058601	P2AP2208/190606G5B2B2B2C	JCB 811	58,7+28+28	C
919/58400	A0422130011	PA2208/19070702C5B2H51H59C	JCB 811	58,7+33,43+33,43	C
919/73600	B0319430061	P2AP1907R2B2A	JCB	33,43	A
919/27300	B0319450061	P2AP1911B2B26A	JCB	51,8	A
919/27300 - 919/73600	B0319120231	PAA1907R2B2A	JCB-520 TELESCOPIC HANDLER	33,43	A
20/925320	1PN/1PN/1PN/025	1PN055061061CG	JCB 8014,8015,8018	5,5+6+6	C
	196001	X1A5041Q51A3F3DC	ACE BACKHOE LOADER INDIA	41	C



*Mobile Cast Iron*  
GEAR PUMP APPLICATIONS



**MOTOROCK**

— AUTOMOTIVE —



*Mobile Cast Iron*  
GEAR PUMP APPLICATIONS



**MOTOROCK**

— AUTOMOTIVE —

MOBILE CAST IRON GEAR PUMP APLICATIONS

ORIGINAL CODE	HEMA NUMBER	HEMA EXTENTION NUMBERS	MACHINE TYPE	VOLUMES (CC)	DIRECTION
85N3-1108	HO514040	R1A510040324019C5.1A	KAWASAKI 85ZIII (1995) 85ZA	100+32+19	A
LOADER	HO510001	F1AC5100.....A FRONT PUMP	KAWASAKI 85ZIII (1995)	100	A
LOADER	HO032019	RW40324019.1A ( 2.+3. PUMP)	KAWASAKI 85ZIII (1995)	32+19	A
	HPR41036	R1W44R4019BAA (R4 ARKA POMPA)	HO51040 3. kademe pompa	19	A
LOADER	HO100032	R1A51004032C52B1H1F1D1BA	KAWASAKI Z85	100+32	A
22PL.2260K42PL170702	HPR52005	R1A50854027C52A2L2F0X4CA	KAWASAKI 85 ZII	85+27	A
YT22PL220004	B0322140061	PA2213C5B26A	KAWASAKI Z80	85,7	A
YT22PL220004	B0322452001	P2CP2213C5B26A	KAWASAKI 70B	85,7	A
YT22PL220004	B0322142041	PC2213C5B2A	KAWASAKI Z85 OLD TYPE	85,7	A
YT22PL220004	045702	P2AP2213C5B26A	KAWASAKI Z80-Z70B-1	85,7	A
YK1161070500	KP360AS / 001	HTTYK1161070500	KAWASAKI 70B TRANMIS. PUMP		
YT28PL240011	B0322150121	PA2215C5B26A	KAWASAKI 70B+FRKW 230	101,1	A
YT28PL240011	152701	P3A2215C5B26A	KAWASAKI 70B+FRKW 231	101,1	A
YT28PL240011	B0322150181	PA2215C5B2A	KAWASAKI 70B	101,1	A
YT13PL31313PL711	HP192002	PK191111Q32B2H2D2F2DA	KAWASAKI Z85	51,8+51,8	A
YT13PL31313PL711	HP192003	PAP191111Q32B2H2D2F2DA	KAWASAKI Z85	51,8+51,8	A
YT16PL190013	B0319141071	PA1911Q3B26A	KAWASAKI B 70	51,8	A
LOADER	HPR42003	R1A40534053Q32B2H2D2F2DA	KAWASAKI Z85-1990	53+53	A
LOADER	HPR53001	R1A510040324019C5B1K1D1H1B01BA	KAWASAKI 90Z ( 1995-1998 model )	100+32+19	A
	HPR41147	I1W54R4032DBA (R4 Orta Pompa)	HPR53001 2. kademe pompa	54	A
LOADER	A0122152081	PC221515C5B2B2A	KAWASAKI Z 95	101,1+101,1	A
97C4-0122 ( 2990904 )	A0122152181	PC221515C5B26B2A251	KAWASAKI Z 95	101,1+101,1	A
LOADER	HP222003	PC221513C5B26B26A	KAWASAKI Z95	101,1+85,7	A
LOADER	HP222005	PA2215/1911C5B26B26A	KAWASAKI 110	101+52	A
LOADER	043501	R1C50735063/043501CC	KAWASAKI 95Z-5/ CVS FL 4212 FLT	73+63	C
LOADER	028711	P2CP2210/1911C5B26B26A	KAWASAKI 80Z	70,1+51,8	A
LOADER	HPR52015	R1C51204023C52B2L2F4G4EA	KAWASAKI 95 ZII	120+23	A
LOADER	HP192008	PC191109Z52A1K1D0X1DA	KAWASAKI Z70 ( Z85 new machine )	54+45	A
LOADER	HPR52019	R1C51204023Z52B2L2F4G4EA	KAWASAKI Z70	120+23	A
LOADER	HPS43003	S1A403740234016B53B1H1B1D1B0X1BA	KAWASAKI 65ZV	37+23+16	A
97C4-0122 ( 2990904 )	HPR51041	R1C5120C51A2K2FA	KAWASAKI 97Z	120	A
LOADER	HPR53014	R1A510050854019C53B1K1D1K1D0X1BA	KAWASAKI 90Z (1997-1998)	100+85+19	A
LOADER	HPR51048	I1W55R5085ECA (R5 ARA POMPA)	HPR53014 kodlu Kawasaki 90Z orta pompası	85	A
	HPR41076	R1W54R4019BAA (R4 Arka Pompa)	HPR53014 kodlu Kawasaki 90Z Arka pompası	19	A
	HPR53029	R1A5-5-1PN192-1A	KAWASAKI 90Z ( 1995 model )	100+85+19	A
LOADER	HPX53003	X1A5-5-5-C53B1A (X1A506850335026C53B1F1D1D1B1D1BA)	KAWASAKI 70ZIII (2000)	68+33+26	A
LOADER	056816	PA1911B3B26A	KAWASAKI 85Z Steering Pump	51,8	A
LOADER	HPS42004	S1A40324023S12B3D3B3D3BC	KAWASAKI 50Z (under 2000)	32+23	C
LOADER	HP222013	PCJ22071909C52A1K1D0X1DA	KAWASAKI 85ZII - 1995	53,6+41,5	A
LOADER	HPX53004	X1A506850335026C53B1K1D1H1B0X1BA	KAWASAKI 70Z IV - 2008	68+33+26	A
LOADER	HP222014	PA22101907C52B1H1D1D1BA	KAWASAKI 80ZII - 1988-1989 (FROM AMERICA)	70,1+33,43	A
	HP222015	PAJ22101905C32A1L1F0X4EA	KAWASAKI 65Z - 1985		A
LOADER	HPS41015	S1C4032S11A4J4EA	KAWASAKI 70Z-II TRANMISSION	32	A
	054201	R1A4053/054201AA	KAWASAKI 85Z 2000	53	A
	HPR52030	R1C50854023C52B2L2F4G4EA	KAWASAKI 85ZII	85+22	A
	HP222017	PCJ22071909C52A1K1F0X4EA	KAWASAKI 70ZIII (1995)	53,6+41,5	A
	HPR53022	R1A510050854019C53B1K1F1K1F0X1BA	KAWASAKI 90Z ( 1995 model )	100+85+19	A
	HP222018	P2CP22101911C51B1K1F1D1BA	KAWASAKI 80ZIII	70,1+51,8	A
LOADER	HPS41019	S1C4037S11A1D1BA	KAWASAKI 70Z-II TRANMIS. NEW MODEL	37	A
LOADER 44083-60740	HPR53023	R1A510040324032C53B1K1D1H1B0X1BA	KAWASAKI 80Z ( 2006 model )	100+32+32	A
	HPR53028	R1A510040324053C53B1K1D1H1B0X1BA	KAWASAKI 80Z	100+32+53	A
	HPR53024	R1A510050854019C53B1H1F1K1D1D1AA	KAWASAKI 85ZIII ( 1995 model)	100+85+19	A
35 TON	HPR53002	R1A510050855063C53B1K1F1K1F1K1FA	R1A510050855063C53B1K1F1K1F1K1FA	100+85+63	A
25 TON	HP223002	PC22151508C5B26B26A	PC22151508C5B26B26A	101,1+101,1+58,7	A
26 TON	HPR53011	R1C506350634027C53A1K1F1K1F0X1BA	R1C506350634027C53A1K1F1K1F0X1BA	63+63+27	A
	HPR53012	R1C5-5-4C53A1A	R1C5-5-4C53A1A	63+63+32	A
	HPR54003	R1C5-5-4-4C44A1A / R1C5085510040324032C54A1 K1F1L1F1F1D1F1DA	R1C5-5-4-4C44A1A / R1C5085510040324032C54A1 K1F1L1F1F1D1F1DA	85+100+32+32	A
	HPR41042	R1A4023B31A1F1DA	KATO VINÇ POMPASI	23	A
pump code:ABU-0 24568-56	HPR53005	R1C506350634032Z53/1A	KATO NK 250E-III VINÇ	63+63+32	A
	HPS63001	S1A608360835070C53B1M1H1M1H1K1FA	KATO (YADAK HYD)	83+83+70	A
	HPR63004	R1A616050635063C53B1K1H1H1D1H1DC	KATO NK 750	160+63+63	C
	B0322152041	FC2215C5B2A	KATO CRANE	FRONT PUMP	A
	B0322140431	CW2213YH26B2A	KATO CRANE	SECOND PUMP	A
	B0322130511	RW2210YL27B2A	KATO CRANE	REAR PUMP	A



**MOTOROCK**  
— AUTOMOTIVE —





*Mobile Cast Iron*  
GEAR PUMP APPLICATIONS



**MOTOROCK**

— AUTOMOTIVE —

## MOBILE CAST IRON GEAR PUMP APPLICATIONS

ORIGINAL CODE	HEMA NUMBER	HEMA EXTENTION NUMBERS	MACHINE TYPE	VOLUMES (CC)	DIRECTION
13PL190011	B0319142041	PC1911B3B2A	FRUKAWA - FL	51,8	A
16PL190003B	HP191005	PC1913Q5B2A	FRUKAWA - FL 120,120A,150,170,170A	62,1	A
15PL190303-15PL190703	HP192007	PC191313Q5B2B2A	FRUKAWA - FL	62.1+ 62.1	A
26PL220004	HP221015	PA2215C5...A	FRUKAWA - FL	101,5	A
33PL240004	HP221016	PA2215C3B2A	FRUKAWA - FL 230,230-I,230-II	101,5	A
28PL240011	039901	P2AP2213C5B26A	FRUKAWA	85,7	A
	B0322150121	PA2215C5B26A	FRUKAWA - 230	101,1	A
28PL240011	152701	P3A2215C5B26A	FRUKAWA - 231	101,1	A
B/L	HPR42011	R1A40534019Q52A1H4G0XEA	CASE 580-1	53+19	A
B/L	054201	R1A4053/054201AA	CASE 580 G WHEEL LOADER	53	A
B/L	054202	R1A40534016...A	CASE 580 K TDL	53+16	A
3239529099	HPR52018	R1A50534019Z52A1K4G0X4EA	CASE 580SL	53+19	A
85826147	HPX52016	X1C50365036Q52A1K4E0X0XC	CASE 580SL new machine / NEW HOLL. LB90/95	36+36	C
85826149	HPX52017	X1C50415036Q52A1K4E0X0XC	CASE 690 new machine / CASE 695 / NEW HOLL. LB110/115	41+36	C
	HPR42004	R1A40454019Q52A1H4G04EA	CASE 580K	45+19	A
D48950,D53690,D58538, D60873,D80083,D146716	HPR41063	R1A4053B21A4J4EA	CASE 580C / 580F	53	A
0510565058	1PN/1PN/1PN/019	1PN/119/119/070.CGS3	CASE MINI EXCAVATOR	12+12+7	C
	HPR52042	R1C5100R5053C52A1K4G0X4GC	CASE 821B	100+56	C



# MOTOROCK

AUTOMOTIVE



*Mobile Cast Iron*  
GEAR PUMP APPLICATIONS



**MOTOROCK**

— AUTOMOTIVE —

*Mobile Cast Iron*

GEAR PUMP APPLICATIONS



**MOTOROCK**

— AUTOMOTIVE —

## MOBILE CAST IRON GEAR PUMP APLICATIONS

ORIGINAL CODE	HEMA NUMBER	HEMA EXTENTION NUMBERS	MACHINE TYPE	VOLUMES (CC)	DIRECTION
6102161M91	HO037036	X1A50375036/960Y/1A	FERMEC 960 NEW 2002 ve öncesi	37+36	A
351-8758M91	HO037029	X1A50365029/960E/1A	FERMEC 750-860 2002 ve öncesi	36+29	A
352-2451-M92	HO253723	X1A50375023/960/1A	FERMEC 750-860-960	36+23	A
6111152M92/ 1H0470-TB	HPX52069	X1C5041X5027Q52..1BC	Terex Loader 844	41+27	C
6109163M91 Parker Kodu : 7029121004	111406	X1A50375029/111406/1C	FERMEC - Terex Lader 760 TDL (140)	37+29	C
6111153M93 ,6111153M91 6109162M91 Parker Kodu : 7029121002	111505	X1A50375037/111505/1C	FERMEC - TEREX 860 Lader, 960 TDL (160)	37+37	C
TEREX FERMEC	111403	X1C50375029/111403/1C	FERMEC 860-960	37+29	C
6110612M91	111503	X1C50375037/111503/1C	FERMEC-TEREX P200 160 TDL	37+37	C
HP1039 /1060	172001	X1A50415036/172/1C	FERMEC 860-960	41+36	C
	149905	X1A50295029/149905/1C	FERMEC /EXTEC - S5 screener	29 + 29	C
	045401	P2AP2207C2B31A	FERMEC Old 50E TDL (Low Line)	53,6	A



# MOTOROCK

AUTOMOTIVE



*Mobile Cast Iron*  
GEAR PUMP APPLICATIONS



**MOTOROCK**

— AUTOMOTIVE —

## MOBILE CAST IRON GEAR PUMP APLICATIONS

ORIGINAL CODE	HEMA NUMBER	HEMA EXTENTION NUMBERS	MACHINE TYPE	VOLUMES (CC)	DIRECTION
7029121002	HPX52034	X1A50465036Q52A1H1B0X1BC	TEREX	46+36	C
15247491	011104	R1C6160/011104/1A	TEREX	160	A
	059616	R1C6117/059616/1C	TEREX RIGID TRUCK - TA 30 / TA 35 UPGRADE	117	C
15257475	060401	R1C6187/060401/1A	TEREX MODEL 33 100C RIGID TRUCK	187	A
15257085	044701	R1C6187/044701BC	TEREX 40 ton Dump Truck 4066C	187	C
15257085	044702			187	C
	HPR63006	R1C6-6-6-C53B2L2H-A	TEREX TR100 33WE	187+187+187	A
	HPR62013	R1C6-6-C52B2L2H-A	TEREX TR100 33WE	187+187	A
15253375	A0122452061	P2CP221313A276	TEREX	85,7+85,7	A
15255604	011109	R1C62204019/011109A	TEREX	220+19	A
15225713	B0319142061	PC1911B2B2A	TEREX / MITSUBISHI L200 LOADER	51,8	A
15236946	A0122142121	PC221313C4B2B2AL	TEREX- 15244376	85,7+85,7	A
15247452	011106	R1C6137/011106/1A	TEREX DUMPER PUMP	137	A
	125301	P2AP1907S5B26A	TEREX	33,43	A
25733844	144914	X1A50335033Q21A1K3B3BA	TEREX PEGSON METRO	33+33	A
15259248	008801	R1C50855085C5B1C	TEREX EQUIPMENT LIMITED	85+85	C
	125302	P2CP1909B2B26A	TEREX	41,5	A
	125303	P2CP1907B3B45A	TEREX	33,43	A
	124007	R1A5063R5063G52A1L3F0X3FC	TEREX	63+63	C
15255603	037501	P2CP221613/037501/1A - MODEL C	TEREX	110,8+85,7	C
10243079	134406	X1A503350335026/134406/20	TEREX FINLAY RECLAIMER 883	33+33+26	C
10.24.3036	162703	X1A5027/162703/1A		27	A
10242051	162704	X1A5046-162704-2A	TEREX FINLAY RECLAIMER 883	46	A
10.25.8052	134415	M3C2213/134415/1D	TEREX FINLAR CRUSHER	86,47	D
10.24.4566	134426	X1A5-5-134426-2A		46+27	A
10.24.4556	134418	X1A50465027/134418/1C		46+27	C
10.24.3139	134424	R1A4045A2014-134424-1A	TEREX FINLAY CRUSHER C-1540	45+14	A
10.24.3134	169006	X1A5-5-169006-1C	TEREX-FINLAY	33+33	C
10.24.4565	169007	X1A5-169007-2A	TEREX-FINLAY	41	A
10.24.3150	169008	X1A5-5-169008-2A	TEREX FINLAY	46+46	A
2573-3038	144908	X1A5041/144908/2A	TEREX Pegson 900 X 600	41	A
10.24.3039	134403	X1A5-5-5-5/134403/1C	TEREX 694	33+33+33	C
502-11-025	114725	X1A5-5-114725-1C	TEREX	36+23	C
10.24.3140	169001	X1A50465046-169001-2C	TEREX-FINLAY	46 + 46	C
10.24.3133	166702	X1A50335033/166702/1A	TEREX	33 + 33	A
513-008-023	113902	M3CZZ2216-113902-3D			D
12560136	161402	X1A50295029/161402/2C	POWERSCREEN	29 +29	C
10.24.4534	134417	X1A5046-134417-1C	FINLAY	46	C
206-843	114712	X1A503350335027/114712/1C	McCLOSKEY	33+33+27	C
206-794	114710	MC1911/114710/1D	McCLOSKEY		D



# MOTOROCK

AUTOMOTIVE



*Mobile Cast Iron*  
GEAR PUMP APPLICATIONS



**MOTOROCK**

— AUTOMOTIVE —



## MOBILE CAST IRON GEAR PUMP APPLICATIONS

ORIGINAL CODE	HEMA NUMBER	HEMA EXTENTION NUMBERS	MACHINE TYPE	VOLUMES (CC)	DIRECTION
	056111	R1A5053H3A1C	MF	53	C
BACKHOE	143401	R1A5063B2A1A	MF50-50D	63	A
BACKHOE	134605	R1A5073B2A1A	MF50-50D	73	A
1470214M91	B0322420021	P2AP2208C2B31A	MF-50B- (334E)/MF50HX-EX IRAN	58,7	A
1470214M92	HP221020	P2AP2208C21A2H1DA	MF-50B- (334E)/MF50HX-EX LIBYA	58,7	A
	HPR51003	R1A5063Q21A2H4EA	MF-50B- (334E)/MF50HX-EX IRAN	63	A
	HPR51042	R1A5063Q21A2H1DA	MF-50B- (334E)/MF50HX-EX LIBYA	63	A
1470214M92	B0322120231	SPA2208C2B31A	MF-50B- (334E)/MF50HX-EX	58,7	A
147143M191	B0322100001	SPA2209C2B31A	MF 60H,60NX	65,86	A
147143M92	006901	P2AP2209C2B31A	MF 60H,60NX	65,86	A
1471430M92	045401	P2AP2207C2B31A	MF 860-960	52	A
	B0322420081	P2AP2208C2B26A	MF-50B- (334E)/MF50HX-EX	58,7	A
	HP221002	PAP2210C2B31A	M.FERGUSSON	70.1	A
2949 987 M91	105501	P2AP2208/1907C425	MF-44C/55C/C44C/C55C	58,7+33,43	C
2970 946 M91	A0122140081	PA221308C5B26B26A	MF-77C/77D	85,7+58,7	A
	A0222120151	SPAX2208/1907C20	MF44C -OLD PUMP	58,7+33,43	C
2949987M91 / 2963821M91	A0222420031	P2AP2208/1907C299	MF44C-55C NEW PUMP	58,7+33,43	C



# MOTOROCK

AUTOMOTIVE



*Mobile Cast Iron*  
GEAR PUMP APPLICATIONS



**MOTOROCK**

— AUTOMOTIVE —

## MOBILE CAST IRON GEAR PUMP APPLICATIONS

ORIGINAL CODE	HEMA NUMBER	HEMA EXTENTION NUMBERS	MACHINE TYPE	VOLUMES (CC)	DIRECTION
F14/73114 - 73115	HPX52064	X1C50415026C42A1K3B0X3BC	HIDROMEK NEW PUMP 2014 MART Sonrası HMK 102S-102B	41+26	C
F14/73109	HPX52057	X1C50415026C42A1K3B0X3BC	HIDROMEK NEW PUMP 2012 EKİM - MART 2014 HMK 102S-102B	41+26	C
F14/73107 - 73113	HPX52004	X1C50415029C42A1K3B0X3BC	HIDROMEK 2012 EKİM'e Kadar HMK 102S-102B	41+29	C
F14/73105	HPX52039	X1C50375029Q22A2H3B03BC	HIDROMEK (UPGRADE OF HPX52001 )	37+29	C
F14/73111	HPX52040	X1C50465023Q22A2H3B0X3BC	HIDROMEK ( UPGRADE OF HPX52005 )	46+23	C
	HPX52021	X1C50465023C42A2H3B0X3BC	HIDROMEK-PROTOTYPE FOR 2007	46+23	C
HMK102	HPX52020	X1C50335033Q22A2H3B0X3BC	HIDROMEK-SIMPLE BHL 2010	33+33	C
HMK100	067313	X1A50335033...1A	HIDROMEK- BEFORE 2003	33+33	A
HMK100	HO245323	R1A40534023...A	HIDROMEK- BEFORE 2003	53+23	A
	HP191004	PA1913FH1A01C	HIDROMEK- BEFORE 2003	62,1	C
R3025-10010	15PN100444	15P350C1XSXSXSV	MG330 GRAYDER TRANS	35	
R3031-10010	1PN075AGS/706		MG330 GRAYDER TRANS	7,5	
R6025-10020	15PN100441	15P410C1LS5BS5ASV	MG460 GRAYDER TRANS	41	
R6031-10020	1PN061AGS/698		MG460 GRAYDER TRANS	6,1	
MST422,442,444	075702	R1A40454032B2B1A	MASTAS (1.) 1999-2001	45+32	A
MST422,442,444	075706	X1A50415029B22A1K3B0X3BA	MASTAS( 2. ) 2002-2004	41+29	A
MST422,442,444	HPX52003	X1C50415029B22A1K4E04EA	MASTAS (3.) 2005-	41+29	A
MST422,442,445	1P1/1P1/178	1P1.136/124AGTÖ5K/178	MASTAS BRAKE PUMP	11.9+8.2	A
MST422,442,444	HP192005	P2CPJ190906B22A1K4E0X4EA	MASTAS (3.) 2005-BUSHING TYPE	41,5+29,5	A
MST422,442,444	HP192006	P2CJ190906B22A1K4E0X4EA	MASTAS (3.) 2005-ROLLER BEARING TYPE	41,5+29,5	A
MST542,544	HPX52048	X1C50415029C42A1H1D0X0XC	MASTAS 542,544 BHL, SNK B902, B904	41+29	C
MST542,544	1CP320001M	X1C50415029C42A1H1D0X0XC	MASTAS 542,544 BHL, SNK B902, B904	41+29	C



# MOTOROCK

AUTOMOTIVE



*Mobile Cast Iron*  
GEAR PUMP APPLICATIONS



**MOTOROCK**

— AUTOMOTIVE —

## MOBILE CAST IRON GEAR PUMP APPLICATIONS

ORIGINAL CODE	HEMA NUMBER	HEMA EXTENTION NUMBERS	MACHINE TYPE	VOLUMES (CC)	DIRECTION
	075706H0	X1A50415029...1C	HIDROMEK NEW PUMP 2014 MART Sonrası HMK 102S-102B	41+26	C
CUKUROVA 885	HPX52004	X1C50415029C4.....C	HIDROMEK NEW PUMP 2012 EKİM - MART 2014 HMK 102S-102B	41+26	C
CUKUROVA 885	HPX52002	X1C50375029C42A2H3B03BC (X5/X5 POMPA)	HIDROMEK 2012 EKİM'e Kadar HMK 102S-102B	41+29	C
	HPX52033	X1C50365026C42A1K3B0X3BC	HIDROMEK (UPGRADE OF HPX52001 )	37+29	C
	HPX52032	X1C50375029C42A1K3B0X3BC	HIDROMEK (UPGRADE OF HPX52005 )	46+23	C
CUKUROVA 883	HPX51004	X1C5068C41A1K4EC	HIDROMEK-PROTOTYPE FOR 2007	46+23	C
CUKUROVA 883	H0290706	P2CPJ190706QB2H66H75C	HIDROMEK-SIMPLE BHL 2010	33+33	C
	HPX51003	X1C5046C41A1K4EC	HIDROMEK- BEFORE 2003	33+33	A
	HPX51007	X1C5056C41A1K4EC	HIDROMEK- BEFORE 2003	53+23	A
	HPX52018	X1C50235023C42A1KBB0X3BC	HIDROMEK- BEFORE 2003	62,1	C
	HPX51010	X1C5063C41A1K4EC	MG330 GRAYDER TRANS	35	
			MG330 GRAYDER TRANS	7,5	
			MG460 GRAYDER TRANS	41	
			MG460 GRAYDER TRANS	6,1	
			MASTAS (1.) 1999-2001	45+32	A
			MASTAS( 2. ) 2002-2004	41+29	A
			MASTAS (3.) 2005-	41+29	A
			MASTAS BRAKE PUMP	11.9+8.2	A
			MASTAS (3.) 2005-BUSHING TYPE	41,5+29,5	A
			MASTAS (3.) 2005-ROLLER BEARING TYPE	41,5+29,5	A
			MASTAS 542,544 BHL, SNK B902, B904	41+29	C
			MASTAS 542,544 BHL, SNK B902, B904	41+29	C



# MOTOROCK

AUTOMOTIVE



*Mobile Cast Iron*  
GEAR PUMP APPLICATIONS



**MOTOROCK**

— AUTOMOTIVE —



## MOBILE CAST IRON GEAR PUMP APPLICATIONS

ORIGINAL CODE	HEMA NUMBER	HEMA EXTENTION NUMBERS	MACHINE TYPE	VOLUMES (CC)	DIRECTION
	140903	X1A50335056/140903/1C	POWERSCREEN	33+56	C
6690270	103606	X1A50235023/1036063/2A	POWERSCREEN-CHIEFTAIN SCREEN	23+23	A
05761004	124002	X1A50465033/1C	POWERSCREEN	46+33	C
01461101	089306	X1A50335033/089306/1C	POWERSCREEN CHIEFTAIN SCREEN	33+33	C
	089304	R1A40324032H3...C	POWERSCREEN	32+32	C
	052509	R1A50734032/052509/1C	POWERSCREEN	73+42	C
05791566	052512	X1A5033/052512/1A	POWERSCREEN		A
	103610	MC2210G5B25D	POWERSCREEN-TURBO SHREDDER 1400		D
	103612	M3C2208+RV/103612/1C	POWERSCREEN-VARIOUS		C
501-008-037	103613	M3C2210G5B25D			D
06690280/06690285	124003	X1A504650335033/124003/1C	POWERSCREEN	46+33+33	C
12090373 / 520-011-039	124008	X1A504650465033/124008/1C	POWERSCREEN	46+46+33	C
	010704	R1A4-4-4/010704/1C	POWERSCREEN-ROCK SCREEN		C
06761100	010707	X1A50275027/010707/1C	POWERSCREEN-TROMMEL	27+27	C
6791101	010708	X1A502750275027/010708/1C	POWERSCREEN	27+27+27	C
	010709	R1A4027H3A3C	POWERSCREEN	27	C
17060131	161404	X1A50295029/161404/1A	POWERSCREEN 2400 - HORIZON 6203	29+29	A
12560130	161407	R1A5-5-5/161407/1C	POWERSCREEN 2400 - HORIZON 6203	73+53+53	C
06690296 /06690270 /516-011-062	162705	X1A50235023/162705/1A	POWERSCREEN 1400	23+23	A
520-011-040 / 10245224	147302	X1A50235023/147302/4C	POWERSCREEN	23+23	C
12890250	184901	X1A50235023-184901-1A	POWERSCREEN	23+23	A
12590203 / 516-011-093	184902	X1A50295029-184902-1A	POWERSCREEN	29+29	A
10.24.4545 / 10.24.4547	169004	X1A50565056-169004-2C	TEREX FINLAY	56+56	C
10.24.3079	134406	X1A503350335026/134406/20	TEREX FINLAY	33+33+26	C
07251123 / 514-008-036 / 2371-2099	152801	M3C2208G5B25D	POWERSCREEN 100SR/CHIEFTAIN 1400		D
05660315	152901	M3C2215G5B25D	POWERSCREEN 100SR/CHIEFTAIN 1400		D
10.24.3029	134404	X1A50335033/134404/4C	POWERSCREEN	33+33	C
12460141	134411	X1A5-5-5-5-134411-1C	POWERSCREEN	46+46+33+33	C
12460145	166709	X1A5063506350335033/166709/1C	POWERSCREEN Horizon 6203 Screen Plant	63+63+33+33	C
12590609	166717	R1A5-5-5-5-166717-1C	POWERSCREEN Horizon 6203 Screen Plant	63+63+32+32	C
17060130	161401	X1A506350415041/161401/1C	POWERSCREEN 5160	63+41+41	C
12460140	181705	X1A50235023A2014/181705/1A	POWERSCREEN	23+23+14	A
12460142	147318	X1A5-5-5-5-147318-1C	POWERSCREEN Horizon 6203 Screen Plant	63+33+33+33	C
09560153 /10.24.4557( 102460165)	147305	X1A506350335033/147305/1C	POWERSCREEN	63+33+33	C
front pump 181708	181707	X1A50235023-181707-1A	POWERSCREEN	23+23	A
HP1065	162706	X1A50235029/162706/1A	SANDVICK QE440	23+29	A



# MOTOROCK

AUTOMOTIVE



*Mobile Cast Iron*  
GEAR PUMP APPLICATIONS



**MOTOROCK**

— AUTOMOTIVE —



## MOBILE CAST IRON GEAR PUMP APLICATIONS

ORIGINAL CODE	HEMA NUMBER	HEMA EXTENTION NUMBERS	MACHINE TYPE	VOLUMES (CC)	DIRECTION
DRILL.MAC.	026301	PK1911/160608AL54	TAMROCK	73+53	A
81491389	A0319146141	P2KP1911/160608A199	TAMROCK DHA 400-500	51,8+14,6+19,4	A
81491389 - DRILL.MAC.	A0319440021	F2AP1911Q5B26A/16	TAMROCK 400- 500 - 935E	51.8+14.6+19.4	A
81491389	C0319450001	CR2WK160608YJ18B8C5..A	TAMROCK 500 FRONT P	51,8	A
81491389	HO606608	P2KP1911/160608A234	TAMROCK 500 SECOND+REAR	14,6+19,4	A
81491389	035703	C2WK1606YJ18C5A/16	TAMROCK 400-500	51.8+14.6+19.4	A
81491389	C0216210511	R2K1608YB8C5A	TAMROCK 400-500 SECOND	14,6	A
81491389	C0216221181	P2AP2213/160808G5B26C5A--A307	TAMROCK 400-500 THIRD	19,4	A
81563999	A0322450021	PA2213/160808A36	TAMROCK H207 B	85,7+19,4+19,4	A
81563999	A0322140221	F2AP2213G5B26A/16	TAMROCK H207 B	85,7+19,4+19,4	A
DRILL.MAC.	C0322450021	C2W1608YJ18C5A/16	TAMROCK H207 B FRONT PUMP	85,7	A
DRILL.MAC.	C0216221121	R2W1608YB8C5A	TAMROCK H207 B SECOND PUMP	19,4	A
DRILL.MAC.	C0216220461	PC2208/190605C5B26AL128	TAMROCK H207 B REAR PUMP	19,4	A
85100849	A0322122081	P2CP2208/190605A319	TAMROCK DHA 600	58.7+28+22	A
85100849	A0322422001	F2CP2208C5B26A/19	TAMROCK DHA 600	58.7+28+22	A
85100849	C0322422021	PC2213/190706AL107	TAMROCK DHA 600 FRONT PUMP	58,7	A
DRILL.MAC.	A0322142061	P2CP2213/190706A313	TAMROCK DHA 800	85.7+33.4+28	A
DRILL.MAC.	A0322452001	R2WP1906YH18B26A	TAMROCK DHA 800	85.7+33.4+28	A
	C0319429021	P2CP22132213C274	TAMROCK DHA 800 REAR PUMP	28	A
	A0122452031	P2CP221513A278	TAMROCK	85,7+85,7	C
	A0122462001	P2CP220808A268	TAMROCK	101,1+85,7	A
	A0122422001	P2CP2215C5B26C	TAMROCK	58,7+58,7	A
	B0322462011	P2C1606V8E5A	TAMROCK	101,1	C
04702095	B0216212271	PA2210/160804AL105	TAMROCK Drillrig	14,6	A
	A0322130361	P2AP2210/160804A440	TAMROCK	70+19+12,38	A
	066504	PA2210/160808AL104	TAMROCK	70+19+12,38	A
86548489	A0322130341	F2A2210G5B26/16	TAMROCK 500	70+19,4+19,4	A
	HP221008	C2W16081608YJ18C5C5A	TAMROCK 500 FRONT PUMP	70	A
	HP162001	P2AP2210/160808A306	TAMROCK 500 SECOND+REAR PUMP	19,4+19,4	A
	A0322440001	P2ZP2213/190507G5B26B26B26A	TAMROCK 500	70+19,4+19,4	A
	072509	R2WP1907YH19B26A	TAMROCK 105M	85,7+22+33,43	A
	B0319439001	M2A1608F8C5D	TAMROCK 105M - FEEDPUMP	33,43	A
	B1216220001	P2AP1911/160608A200	TAMROCK Toro T150D	19,4	D
	A0319440041	F2AP1911Q5B26A/16	TAMROCK 400S 500S DHA T400	51.8+14.6+19.4	A
	C0319450001	C2W1606XJ18C5A/16	TAMROCK	51,8	A
	B0216210461	R2W1608YB8C5A	TAMROCK	14,6	A
	C0216220461	M2Z1A1610F8C5D	TAMROCK	19,4	A
04702910	004101	P2AP2210/161010C5B26C5C5C	TAMROCK T35D/T40D	24,3	D
	HP223004	PA2210/161010C5B26C5C5C	TAMROCK 850	70,1+24,3+24,3	C
	HP223005	R1C61176117/037101AA	TAMROCK 850	70,1+24,3+24,3	C
	037101	R1C6117/037102AA	TAMROCK TORO LOADER	117+117	A
			TAMROCK TORO LOADER	117	A



# MOTOROCK

AUTOMOTIVE



*Mobile Cast Iron*  
GEAR PUMP APPLICATIONS



**MOTOROCK**

— AUTOMOTIVE —

## MOBILE CAST IRON GEAR PUMP APPLICATIONS

ORIGINAL CODE	HEMA NUMBER	HEMA EXTENTION NUMBERS	MACHINE TYPE	VOLUMES (CC)	DIRECTION
31LD-00010	146202	X1A50515051/146202/2C	HYUNDAI HL 757-7	51+51	C
31LC-00010	146203	X1A50685063/146203/1C	HYUNDAI HL 760-7 LOADER	68+63	C
31L1-02051	021903	R1A51005100/021903AC	HYUNDAI HL 770-3	100+100	C
34L4-01670	036003	R1A5-5-2/036003/1C	HYUNDAI HL 760 WHEELED LOADER	63+63	C
5099-0296	058201	R1A50635063C5C1C	HYUNDAI 760 LOADER (1996)	63+63	C
31LG-00010	150502	X1A50365029/150502/2C	HYUNDAI HL 730-7	36+29	C
31LF-00010	150601	X1A50465036/150601/3C	HYUNDAI HL 740-7	46+36	C
31L6-01380	035806	R1C51004016/035806DA	HYUNDAI HL 780-3 LOADER	100+16	A
	036006	R1A50635063C5L1C	HYUNDAI	63+63	C
	036009	R1A50635063/039009/1C	HYUNDAI HL 760 WHEEL LOADER	63+63	C
31LD-00300	146209	X1A50565056C4...2C	HYUNDAI HL 757-7A	56+56	C
	150501	X1A50335029Q22A1K1D0X1DC	HYUNDAI	33+29	C
	172703	S1A5070C41A1K1HA	HYUNDAI	70	A
	172705	X1A5051/172705/1C	HYUNDAI	51	C
31L6-01400	HPR61001	R1C6137C51A1K1HA	HYUNDAI HL 780-3	137	A
	HPR61005	R1C6137C51A1K1HC	HYUNDAI	137	C
	1PH/1PH/124	1PH.229/119.CGS (165404)	HYUNDAI	22,9+11,9	C
31LB-40300	1PH/1PH/098	1PH.229/119.CGS (165401)	HYUNDAI HL 760-7	22,9+11,9	C
31LD40011	1PH/1PH/099	1PH.190/095.CGS (165402)	HYUNDAI 757-7	19+9,5	C
31LC-40400	1PH/1PH/135	1PH.190/119AGS2.1A (165406)	HYUNDAI HL760-7A,757-7A	19+11,9	A
31LF-40010	1PH/1PH/065	1PH.168/082.CGS (150602)	HYUNDAI HL 730-7	16,8+8,2	C
31LD - 40500	1PN1PN269	1PN146229AGS	HYUNDAI	14,6+22,9	A
31LC-00200	146208	X1A50685068/146208/1C	HYUNDAI HL 760-7A	68+68	C
31L6-01380	035809	R1W5R4016AAA	HYUNDAI HL 780-3 LOADER	16	A
31LD-40010	1PH/1PH/040	1PH.190/095CGS (146206)	HL 757-7 LOADER	19+9,5	C
31LC-40010	1PH/1PH/039	1PH.190/119CGS (146207)	HL 760-7/HL770-7 LOADER	19+11,9	C
31L6-01400	035805	R1C6130 OR HPR61001	HL 780-3 LOADER	130	A
	022101	P2AP2208/1905C348	HYUNDAI - HL770-4	58,7	



# MOTOROCK

AUTOMOTIVE



*Mobile Cast Iron*  
GEAR PUMP APPLICATIONS



**MOTOROCK**

— AUTOMOTIVE —



## MOBILE CAST IRON GEAR PUMP APPLICATIONS

ORIGINAL CODE	HEMA NUMBER	HEMA EXTENTION NUMBERS	MACHINE TYPE	VOLUMES (CC)	DIRECTION
861-1002-07C1	050903	R1C5100C51A1K1FA	DRESSTA LOADER	100	A
861-0100-24C1	153301	M3C2213C5B25D	DRESSTA LOADER 534,534C and 534E	85,7	D
861-1001-53	093013	R1C5085C51A1K1FA	DRESSTA 540 LOADER/ZETTELMAYER LOAD.	85	A
861-1001-65	093019	R1C5063C5A1A - CATALOGUE STAN	DRESSTA 34B LOADER	63	A
	093039	F1C5085C51A1K1FA/SAEA	DRESSTA WHEELED LOADER 540 B	85	A
	093040	R1C50734019/093040/1A	DRESSTA WHEELED LOADER 540 B	73+19	A
	093038	R1C50855073+R1C4060/093038/1A	DRESSTA 560X LOADER	85+73+60	A
	093037	R1C6137A2019/093037/1A	DRESSTA 560X LOADER	137+GALTECH	A
1500898H91	133010	R1A50855073/133010/A	DRESSTA 534E / TD40	85+73	A
	HPR51029	F1AC4R5085FDA	DRESSTA -- FRONT PUMP	85	A
	HPR51030	R1W55R5073ADA	DRESSTA -- REAR PUMP	73	A
	133015	R1A61374053/133015/A	DRESSTA TD40	137+53	A
	093018	S1C5045C5A1A	DRESSTA	43,5	A
861-1001-63	125701	R1C6137C5A1A	DRESSTA / HUTA STALOWA LOADING	137	A
	093012	R1C5073A2004	DRESSTA L34 LOADER	73 + 4	A
	B0322140061	PA2213C5B26A	DRESSTA LK-1	85,7	A
	HPR61015	R1C6187C51A1K1HA	Dressta L-34 main pump	187	A
	204501	R1C6160C51A1K1HA	DRESSTA L-34 LOADER	160	A
	210302	R1A6-6-210302-2A		160+137	A
	234201	R1C4-4-4-234201-1C		45+27+23	C
	093069	R1C5-1PN-093069-1A		85+19,2	A
	093066	R1A6-4-093066-1A		220+19	A
	093062	S1C5085C51A1K1FA		82,2	A
	093049	X1A5068C41A2H2DC		68	C
	093070	R1A5073C41A2K2FA		73	A



# MOTOROCK

AUTOMOTIVE



*Mobile Cast Iron*  
GEAR PUMP APPLICATIONS



**MOTOROCK**

— AUTOMOTIVE —

## MOBILE CAST IRON GEAR PUMP APPLICATIONS

ORIGINAL CODE	HEMA NUMBER	HEMA EXTENTION NUMBERS	MACHINE TYPE	VOLUMES (CC)	DIRECTION
PC2207C5B2C	HP221009	PC2207C5B2C	VOLVO BM 1240	52	C
	B0322150181	PA2215C5B2A	VOLVO-565D DUMP TRUCK	101,1	A
286-1764-1468	A0219142011	PC1911/1610C2	VOLVO BM 4200 LOADER	51,8+24	C
286-1764-1468	037702	P2CP1911/1610C248	VOLVO BM 4200 LOADER	51,8+24	C
	B0322130091	PA2210B3B2C	VOLVO 840 LOADER	70,1	C
	056603	P2AP2210-1909G5B26B26C	VOLVO 846	70,1+41,5	C
3349116324 Parker Code	1PN050CFT3/410		VOLVO EXC. STEERING PUMP	5	C
11881939	HPX51020	X1C5063C41A1H3BC	VOLVO BL61	63	C
14524186	1CP110494M	1CP1230A2CS5CS2BSV	VOLVO EC290 FAN PUMP	22	A
14537295	1CP120003M	1CP1230230C2CS5CS2BX0S2BSV	VOLVO EC360 FAN PUMP	22+22	C
17473516	59531005	1.5PR470AGSV	VOLVO A25 A30 Auxiliary pump	47	A
17473517	59531006	1.5PR650AGSV	VOLVO A35 A40 A45 Auxiliary pump	65	A



# MOTOROCK

A U T O M O T I V E



*Mobile Cast Iron*  
GEAR PUMP APPLICATIONS



**MOTOROCK**

— AUTOMOTIVE —



## MOBILE CAST IRON GEAR PUMP APPLICATIONS

ORIGINAL CODE	HEMA NUMBER	HEMA EXTENTION NUMBERS	MACHINE TYPE	VOLUMES (CC)	DIRECTION
8364677	A0122132081	PC221010C5B2B2A	GROVE COLES CRANE RTs/RT680	70,1+70,1	A
8370560	A0122142091	PC221313C5..153	GROVE COLES CRANE AT880	85,7+85,7	C
7722990046	A0122452031	P2CP221313C5..274	GROVE COLES CRANE AT865/AT875	85,7+85,7	C
7722990046	A0122142111	PC221313C5B35B35C	GROVE COLES CRANE	85,7+85,7	C
7722990125	A0122452051	P2CP221313C5...275	GROVE COLES CRANE AT880/AT865	85,7+85,7	C
8389192	A0222132161	PC2210/1610C5B26C5A	GROVE COLES CRANE	70,1+24,3	A
7722990145	A0222442002	P2CP2210/1610C5..291	GROVE COLES CRANE	70,1+24,3	C
7722990148	025701	P2AP2213/1613C5..A359	GROVE COLES CRANE	85,7+31,6	A
7722990151	049101	P2AP2210/1606G5..A289	GROVE COLES CRANE	70,1+14,6	A
7722990131	A0222440031	P2AP2210/1606G5..C289	GROVE COLES CRANE	70,1+14,6	C
7722990123	A0222442003	P2CP2210/1610A292	GROVE COLES CRANE	70,1+24,3	A
7722990126	A0222452011	P2CP2213/1613C294	GROVE COLES CRANE AT880/AT875	85,7+31,6	C
	009501	P2AP22100808C/009501A	GROVE COLES CRANE	70,1+58,7+58,7	A
	026701	P2AP2210/190909C361	GROVE COLES CRANE	70,1+41,5+41,5	C
7722990128	A0422470011	P2AP2216101008C286	GROVE COLES CRANE AT9120/870 75T	110,8+70,1+70,1+58,7	C
7722990121	A0422440031	P2AP22101010/1907C316	GROVE COLES CRANE AT1100/TT865	70,1+70,1+70,1+33,43	C
7722990135	A0422440011	P2AP2210X3/1907C315	GROVE COLES CRANE AT990/9120	70,1+70,1+70,1+33,43	C
8386840	B0216232471	P2C1610V8E5A	GROVE COLES CRANE	24,3	A
8931335	B0216242301	P2C1613V8E5A	GROVE COLES CRANE AT1100	31,6	A
8947397	B0216262101	P2C1617B8E5A	GROVE COLES CRANE	41,3	A
7722990120	B0322442001	P2CP2210C5B26A	GROVE COLES CRANE RTs	70,1	A
7722990124	B0322452001	P2CP2213C5B26A	GROVE COLES CRANE RTs & RT625	85,7	A
7722990127	B0322470001	P2AP2216C5B26A	GROVE COLES CRANE 33/36T	110,8	A
7722990059	B1216222031	M2CX1608B2C5D	GROVE COLES CRANE AT880/AT875	19,4	D
7722990146	012001	MZ2210C5B25D	GROVE COLES CRANE RT620 kits	70,1	D
8871790	A0122162141	PC221608C5B2B2A	GROVE COLES CRANE	110,8+58,7	A
8871297	020303	P2AP2215G5B26C	GROVE COLES CRANE	101,1	C
8870090	A0222142051	PC2213/1911C8	GROVE COLES	85,7+51,8	C



# MOTOROCK

AUTOMOTIVE



*Mobile Cast Iron*  
GEAR PUMP APPLICATIONS



**MOTOROCK**

— AUTOMOTIVE —

## MOBILE CAST IRON GEAR PUMP APPLICATIONS

ORIGINAL CODE	HEMA NUMBER	HEMA EXTENTION NUMBERS	MACHINE TYPE	VOLUMES (CC)	DIRECTION
,	171506	S1A6097T51A1L1HC	CHETRA	97	C
,	171516	S1A6132T51A1L1HC	CHETRA	132	C
,	171502	S1A6155S6113T52A1M1HOX1HA	CHETRA	155+113	A
,	171505	S1A6132S6132T52A1M1HOX1HA	CHETRA	132+132	A
,	171509	S1A5051Q31A1H1DC	CHETRA	51	C
,	171523	R1K4-4-171523-1A	CHETRA		A
,	171524	R1K4-4-171524-1A	CHETRA	53+32	A
,	171508	S1A7248T71A1M1KC	CHETRA	248	C
,	171530	S1A5070C51A1K1FC	CHETRA	70	C
,	171514	R1A4032A31A1F1BC	CHETRA	32	C
,	171526	S1A6155T51A1L1HC	CHETRA	155	C
,	171501	S1A6155T51A1L1HA	CHETRA	155	A



# MOTOROCK

AUTOMOTIVE



*Mobile Cast Iron*

GEAR PUMP APPLICATIONS



**MOTOROCK**

— AUTOMOTIVE —





*Industrial Cast Iron*  
GEAR PUMP APPLICATIONS



**MOTOROCK**

— AUTOMOTIVE —



*Dana*

TRANSMISSION PUMPS

*Nobil*

VALVES



**MOTOROCK**

— AUTOMOTIVE —



## DANA TRANSMISSION

DANA REFERANS KODLARI	HEMA KODLARI	HATTAT KODLARI
4219696	YP450000M	59571003
4219886	YP321000M	59571004
4219887	YP320000M	59571005
4219888	YP451000M	59571006
4221295	YP362100M	59571007
4221294	YP392201M	59571008
4221293	YP392300M	59571009
4220736	YP453200M	59571010
4220737	YP603100M	59571011
4220738	YP453300M	59571012
4221528	YP603400M	59571013
4221529	YP453500M	59571014
4221530	YP453600M	59571015
10092650	15PR410AGS013	59531002
4222307	15PR580AXS009	59531003
4222308	15PR500AXS010	59531004
4218779	1.5PR/1.5PR/001	59532004
4220541	1.5PR/1.5PR/006	59532005
10099721	1.5PR/1.5PR/007	59532006
10112471	HPR52045	59571002



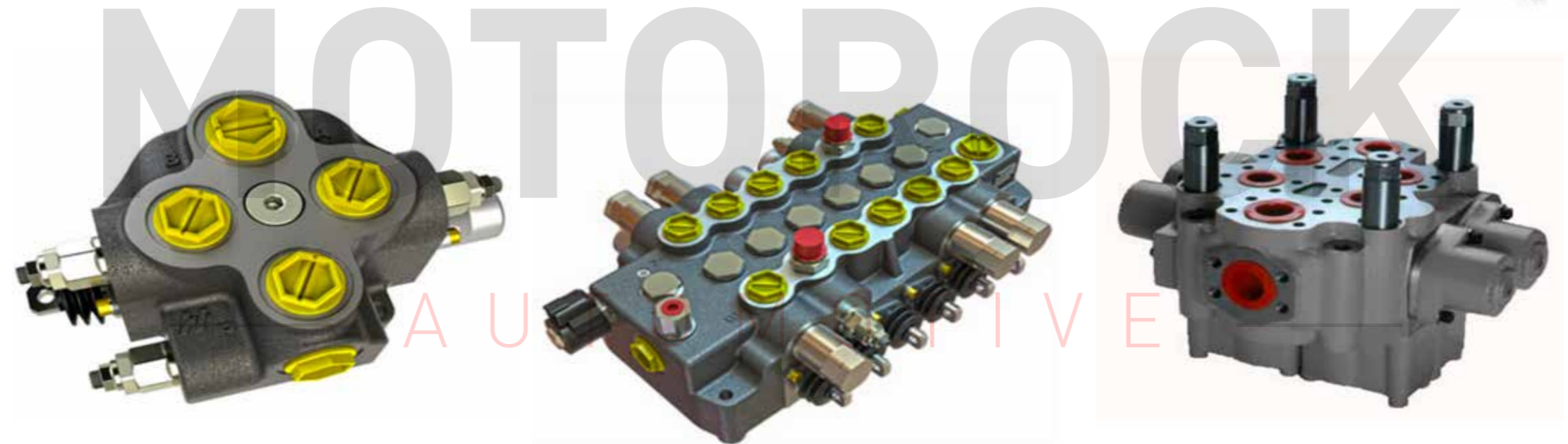
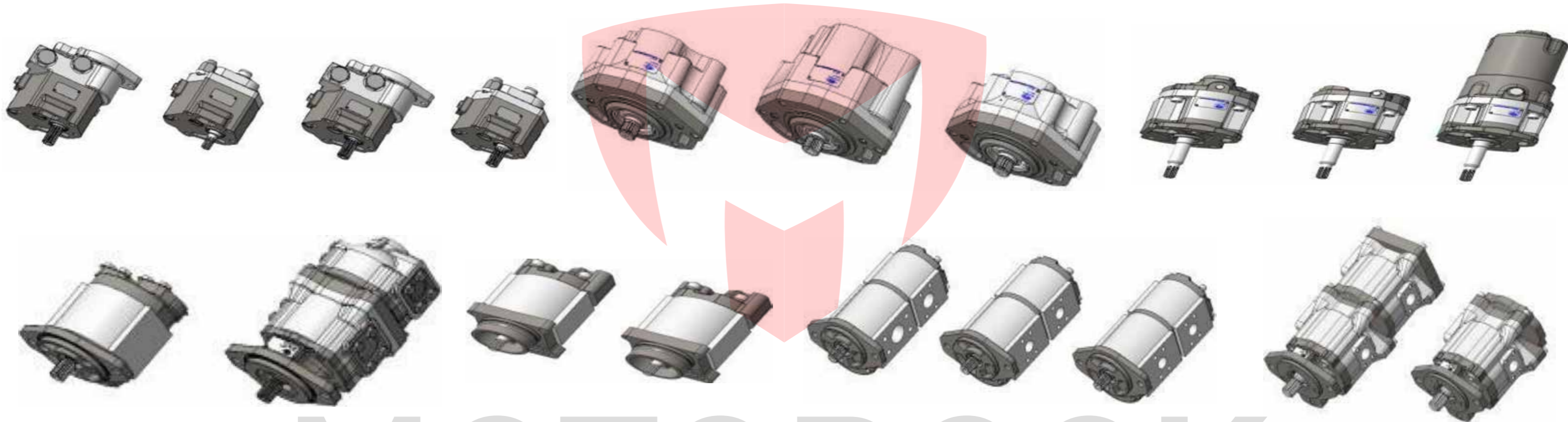
**MOTOROCK**  
— AUTOMOTIVE —



## MOBİL VALVES

OLD CODES	PRODUCT CODES
	C9160071021
	MV033708
	MV033712
	MV033711
	MV035307
	B7211110271
	MV033601
	MV035301
	MV033701
	MV033705
	MV035308
	MV033713
MV033707M	MV033719M
MV035311M - MV035305M	MV035316M
MV033717M - MV033716M	MV033720M
MV033718M - MV033709M	MV033721M
MV035306M	MV035315M
	MV034301M
	MV034201M
	MV033603M
	MV033714M
	149110
	149111
	049502
	049503
	051201
	MV051204M
	MV026203M
	B6250210681





MOTOPROCK

AUTOMOTIVE